



Overview

- DIN Rail, Snaptrack or Surface Mount
- Compact & Cost-Effective 350 mA Unit
- Self-resetting Thermal Fuse
- Operation & Fault LED Indicators
- Fixed or Adjustable Outputs
- Output Protected Against Overload and Accidental Shorting

BAPI's 350A-EZ is a cost-effective way of converting 24 VAC or VDC to 5, 12, 15 or 24 VDC for use on peripheral devices that require DC voltage. The converter is available with a 350 mA output. The revolutionary mounting system allows for 2.75" snaptrack, DIN rail or surface mounting.

Although most BAPI room units can run on 24 VAC power, converting to DC power eliminates the AC power "noise" which can affect the room sensor readings. BAPI's tests show that fluctuating and inaccurate signal levels are possible when AC power wiring is present in the same cable as the signal lines. To minimize the AC voltage noise, the DC converter must be mounted as close to the controller as physically possible. Do not mount the converter at the sensor end of the wire, the AC will still couple into the sensor signal if you do. All fixed outputs of 5, 10, 12 or 15 VDC are adjustable $\pm 10\%$. The adjustable model (-ADJ) has an output of 5 to 24 VDC.



VC350A EZ
mounted on DIN Rail

Ordering Information

Part Number	Description
BA/VC350A-EZ-5	5 VDC Output at 350 mA
BA/VC350A-EZ-10	10 VDC Output at 350 mA
BA/VC350A-EZ-12	12 VDC Output at 350 mA
BA/VC350A-EZ-15	15 VDC Output at 350 mA
BA/VC350A-EZ-ADJ	5 to 24 VDC Adjustable Output at 350 mA

See end of
Section E for
list pricing.

Specifications

Output Voltage: 5 to 24 VDC @ 350 mA

Recommended Input Voltage: 18 to 28 VAC, 24 VDC (15 VA)

Input Voltage Limits:

Model of Unit	Minimum (VAC/VDC)	Maximum (VAC/VDC)	Input Current@ Min Input Volts (AC/DC)
5V	5.0/9.0	28.0/35.0	5.2 VA/305 mA
10V	10.0/14.7	28.0/35.0	8.3 VA/315 mA
12V	12.0/16.9	28.0/35.0	9.5 VA/318 mA
15V	15.0/20.5	28.0/35.0	11.2 VA/320 mA
ADJ (24V)	24.0/31.0*	28.0/35.0	16.7 VA/325 mA

*Depends on output voltage

Environmental Operation Range:

0 to 95% RH non-condensing

-40 to 149°F (-40 to 65°C) 350 mA @ any output voltage

-40 to 158°F (-40 to 70°C) 350 mA @ 5 VDC

330 mA @ 10 VDC

280 mA @ 12 VDC

224 mA @ 15 VDC

140 mA @ 24 VDC

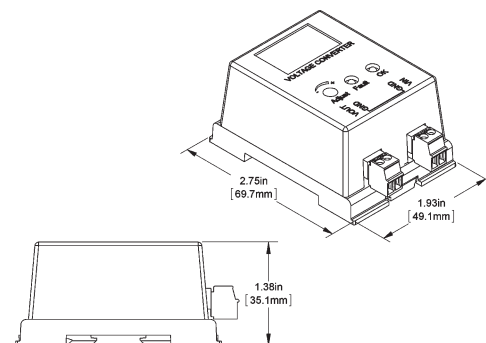
Environmental Storage Range:
-40 to 176°F (-40 to 80°C)

Wiring: 4 wires, 16 to 22 gauge

Rectification: Half-Wave Rectified

Grounding:

AC & DC Ground are Common



Note: The VC350A-EZ is a Class 2 circuit when it is powered from a UL Class 2 power supply.

