

Frese strainers

Application

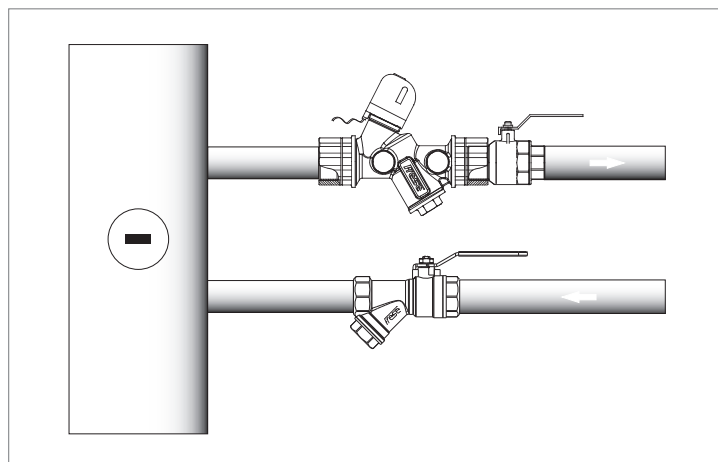
Frese strainers are particularly designed and manufactured in order to provide maximum protection of the pipeline equipment against particles and other impurities. They are necessary in all fluid, steam and non-flammable gas systems where the presence of dirt could result in high operating, maintenance and replacement costs.

The fluid enters the Frese strainer and passes into the interior of a cylindrical screen. While the fluid passes through the screen, all particles larger than the screen mesh are trapped in the screen. When the filter is removed from the strainer, it acts as a container for the accumulated impurities.

The Frese strainers can perform in both horizontal and vertical installations provided that the direction of flow, as marked on the strainer, is always respected and that the filter, for vertical pipes, is situated downwards.

Benefits

- Low installation costs.
- Trouble and noise free operation of the other components of the system, thus higher performance and lower operation costs.
- Longer life cycles thus less time and costs for maintenance and lower replacement costs over time.
- The filter can be easily replaced without removing the body of the strainer from the pipe.



A Frese strainer ball valve in the supply line combined with a Frese EVA (two way automatic balancing valve) in the return line of a cooling/heating unit.



Features

- The use of DZR brass for the body and stainless steel for the filter provides excellent corrosion resistance.
- The design of the strainer ensures that the filter is positively sealed to the body ensuring better particle retention.
- The choice of the filter mesh (32, hole size 0.5 mm) ensures high filtering performance.
- A wide range of dimensions and operating temperatures gives the flexibility for use in different applications.

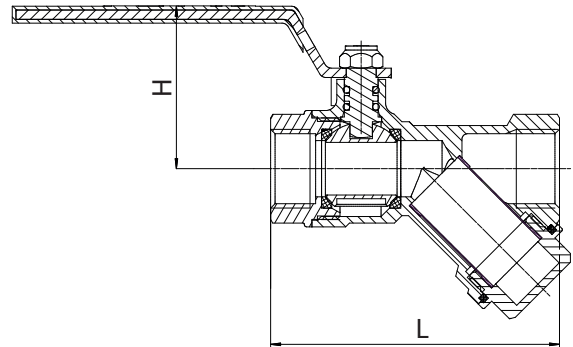
Frese strainers

Frese Strainer Ball valve (2 in 1)

A very compact solution, important in applications where space is restricted and installation time is limited.

Technical data

Valve Housing:	DZR Brass
Filter:	Stainless steel
Gasket:	PTFE
Pressure rating:	PN20
Temperature:	See temperature and pressure diagram
Mesh:	32 (0.5mm)
Connections:	Female/Female
Accessories:	Spindle extension available



Frese no.	Dimensions	Kv	Weight (kg)	L (mm)	H (mm)
38-5040	DN15	2.7	0.316	77	40
38-5041	DN20	5.7	0.448	92	43
38-5042	DN25	6.5	0.810	115	49

Specification text

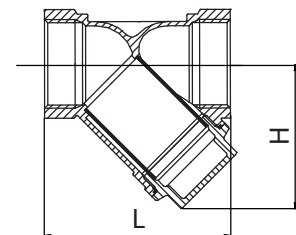
The housing of the strainer ball valve should be made of DR brass; the filter should be replaceable and made of stainless steel. The filter mesh should be 32 (0.5mm). The pressure class should be PN20. The strainer should allow operation in temperatures up to 110°C.

Frese Strainer

A very simple and efficient solution perfectly interacting with the other components of the system.

Technical data

Valve Housing:	DZR Brass
Filter:	Stainless steel
Gasket:	PTFE
Pressure rating:	PN16
Temperature:	-20°C to 150°C
Mesh:	32 (0.5mm)
Connections:	Female/Female



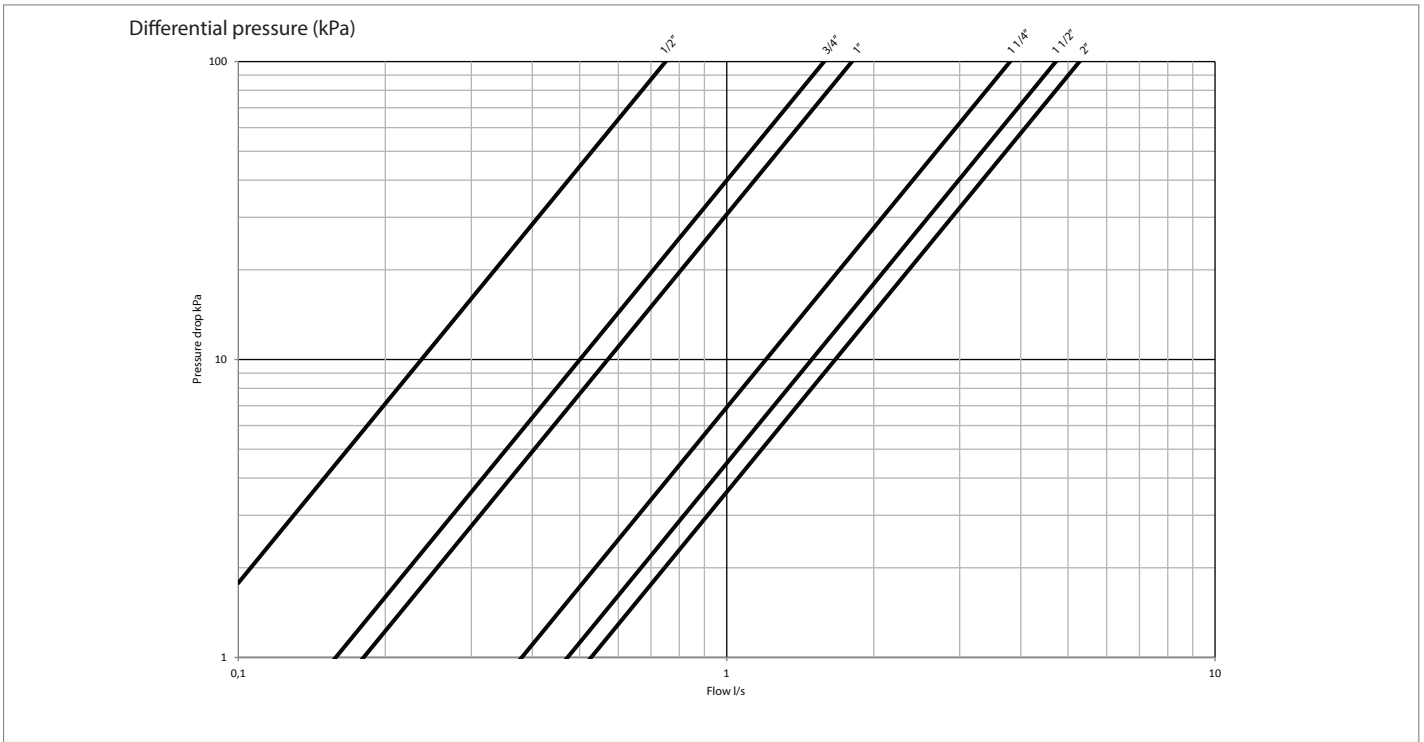
Frese no.	Dimensions	Kv	Weight (kg)	L (mm)	H (mm)
41-1132	DN15	2.7	0.158	56	41
41-1142	DN20	5.7	0.282	69	50
41-1152	DN25	6.5	0.440	82	62
41-1162	DN32	13.7	0.638	90	71
41-1172	DN40	17	0.820	101	78
41-1182	DN50	19	1.280	121	96

Specification text

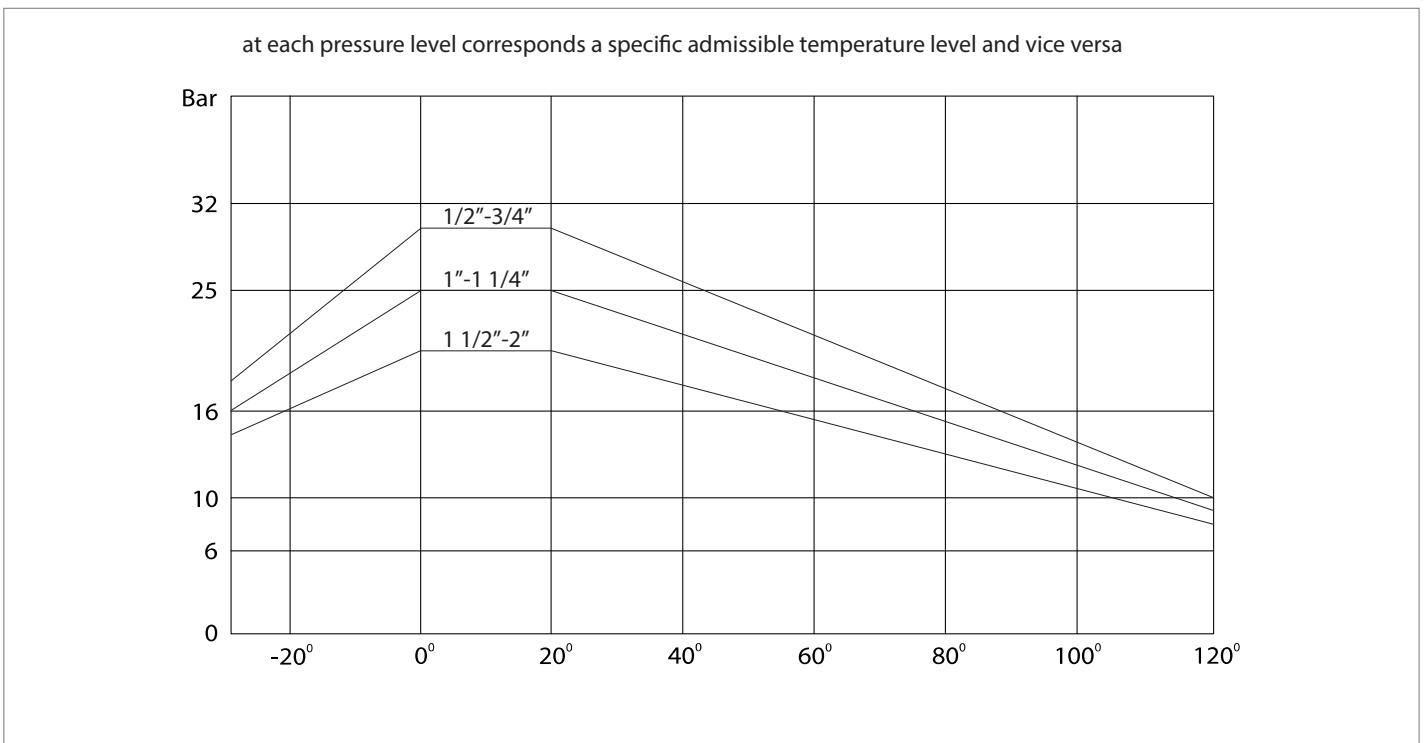
The housing of the strainer ball valve should be made of DR brass; the filter should be replaceable and made of stainless steel. The filter mesh should be 32 (0.5mm). The pressure class should be PN16. The strainer should allow operation in temperatures up to 150°C.

Frese strainers

Pressure drop graph



Pressure temperature diagram for Strainer ball valve



Frese A/S assumes no responsibility for errors, if any, in catalogues, brochures, and other printed matter. Frese A/S reserves the right to modify its products without prior notice, including already ordered products, if this does not alter existing specifications. All registered trademarks in this material are the property of Frese A/S. All rights reserved.

Frese A/S
 Sorøvej 8
 DK- 4200 Slagelse
 Tel: +45 58 56 00 00
 Fax: +45 58 56 00 91
 info@frese.dk