



Features & Options

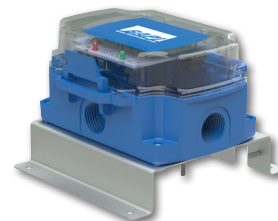
- Detection Within 5 Seconds with Local LED Alarm Indication
- 5 Amp or 0.5 Amp Relays @ 30VAC/DC
- One Piece, Rope or Remote Sensor Design
- NEMA 4 Enclosure

The Water Leak Detector is designed to sense the presence of water and alert a central monitoring system of the potentially destructive situation. Upon water detection, the alarm relays change state, and a local red LED illuminates. The transmitter can be set for latching or non-latching alarm, and normally energized or normally de-energized operation.

Detector with Remote Sensor



Detector with Attached Sensor



Detector with Rope Sensor



Specifications

Power: 24VAC/VDC +/- 10%
 5 Amp Relays: 4 Watt/ 4 VA max
 0.5 Amp Relays: 2 Watt/ 2 VA max (not intended to switch a load)

Wiring: Flex Connector or Liquid Tight Fitting
 Relays.....Up to 6 wires for Alarm Contacts
 Transmitter2 wires for Power

Sensor:

AttachedSS probe w/ adjustable depth screw from 0.063 to 0.84"
 Remote Sensor w/ adjustable depth from 0.062 to 0.5", Mounts to pan with industrial adhesive tape or 0.172" mounting holes
 Rope Long Line Wire Sensor, Plenum Rated.
 Detects 1/8" of water over the full length.

Alarm Contacts :

LDT1:..... One SPST, 0.5A relay output, 10W max.
 LDT2:..... Two SPST, 0.5A relay outputs, 10W max.
 LDT3: One SPDT, 5A relay output
 LDT4:..... Two SPDT, 5A relay outputs

Indication: 1 Green Power LED, 1 Red Alarm LED

Reset Action: If latching, local pushbutton or power interrupt

Termination: Terminal Strip, 12 to 24 AWG

Latching and Supervised Relay Options:

Latching..... Relay stays in alarm until manually reset or power is cycled
 Non-Latching.. Relay automatically resets after water is removed (default)
 Unsupervised.. Relay energizes on water detection
 Supervised..... Relay de-energizes on water detection (default)
 Note: Relay de-energizes on loss of power

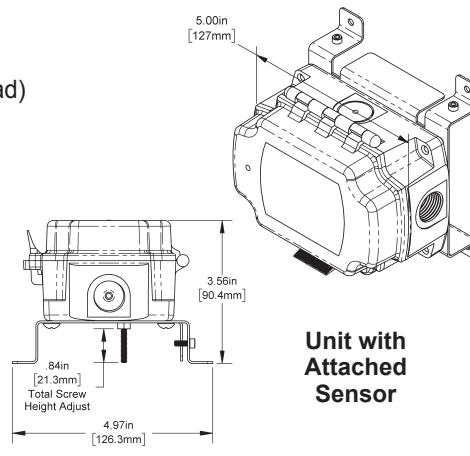
Enclosure Ratings:

Remote Sensor.. Submersible, with FEP plenum-rated, waterproof cable
 Detector..... BAPI-Box, NEMA 4 Polycarbonate Enclosure

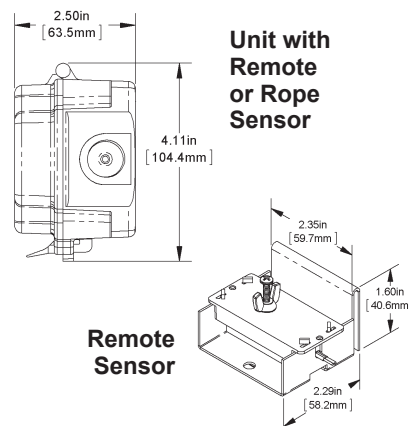
Ambient:

Remote Sensor..... -40 to 185°F (-40 to 85°C), 0 to 100%RH, Condensing
 Rope Sensor..... 32 to 167°F (0 to 75°C), 0 to 95%RH, Non-condensing
 Detector (BB)..... -40 to 185°F (-40 to 85°C), 0 to 95%RH, Non-condensing

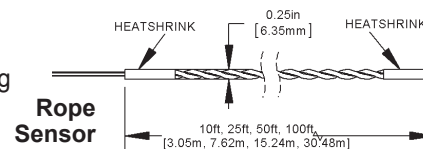
Agency: RoHS, UL94V-0 , UV-rated in Enclosure



Unit with Attached Sensor



Remote Sensor



Rope Sensor

