



Features & Options

- New BAPI-Stat "Quantum Prime" Enclosure Style with Higher Contrast Display for Improved Clarity at Greater Distances
- Membrane Keypad for Wipedown Cleaning
- Temperature and Humidity Setpoint Adjustment

The BAPI-Stat "Quantum Prime" is designed for operating rooms, clean rooms and elder care facilities. It features a large display and membrane keypad for wipedown cleaning. It is available with temperature and humidity measurement, temperature and humidity setpoint and occupant override.

The unit includes a number of field adjustments including °F or °C display, temperature and humidity offset and setpoint lockout. The display can also be set to show a large temperature and small %RH reading or a large %RH and a small temperature reading when 4 buttons are present. This unit can be configured with up to four transmitted variables. Contact your BAPI representative for details..



**BAPI-Stat
"Quantum Prime"
Temp & Humidity
Sensor**

**5
YEAR
WARRANTY**

Ordering Information

The BAPI-Stat "Quantum Prime" Wipedown Sensor is a powerful unit with many options. Please call your BAPI representative for ordering. We will provide a quote and keep it on record for future orders.

Specifications

Power Supply:

10 to 40 VDC (15 to 24 VDC Recommended) for 4 to 20 mA or 0 to 5 VDC Outputs
 15 to 40 VDC (15 to 24 VDC Recommended) for 0 to 10 VDC Outputs
 12 to 28 VAC (Requires a separate pair of shielded wires) for 0 to 5 VDC Outputs

Power Consumption:

60 mA max DC: 4 to 20 mA Output (<30mA typical)
 36 mA max DC: 0 to 5 or 0 to 10 VDC Outputs (6mA typical)
 0.9 VA max AC: 0 to 5 or 0 to 10 VDC Outputs (0.2VA typical)

Outputs: 4 active outputs plus 1 passive temp sensor
 Volts.....0 to 5 VDC or 0 to 10VDC, Impedance >10KΩ
 Current.....4 to 20 mA, Impedance <500Ω @ 24 VDC
 Resistance.....Setpoint, 5 VDC @ 5 mA max
 Relay Contact....N.O., 500 mA @ 24 VDC max
 Temp. SensorPassive RTD or Thermistor

Inputs:

External Override..5 VDC or 24 VDC/VAC
 External Sensor.... 10K-2 Thermistor purchased separately.

Sensing Elements for Active Outputs and Display:

Temperature 10K-2 Thermistor
 Humidity.....Capacitive Polymer, ±2%RH

Mounting: 2"x4" J-box or drywall mount - screws provided

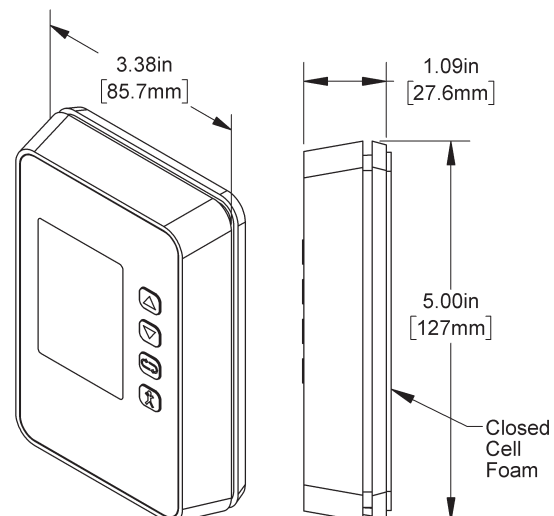
Environmental Ambient:

Temperature 32 to 122°F (0 to 50°C)
 Humidity..... 0 to 95%, non-condensing
 Storage..... 32 to 185°F (0 to 85°C)

Wiring: 2 to 6 pair of 16 to 22 AWG

Enclosure Material: ABS Plastic, UL 94, V-0

Agency: RoHS



*AC power requires a separate pair of shielded wires.

**BAPI recommends that you do not run wiring for room units in the same conduit as line voltage wiring or with wiring used to supply highly inductive loads such as motors, generators and coils.

