



Features & Options

- Prevents Tampering, Damage and Unauthorized Adjustment
- Exceptional Airflow for Proper Thermostat Operation
- Made from Thick, Durable Polycarbonate
- Key Lock Protected
- Low Profile Design with Two Sizes to Fit Most Thermostats
- Horizontal or Vertical Mounting with Hardware Included

The BAPI-Guard prevents tampering, physical damage and unauthorized adjustment of thermostats. The attractive, low-profile design is available in two sizes to fit most thermostats. It is made of thick, durable polycarbonate and features exceptional airflow, key lock protection, horizontal or vertical mounting and easy installation with hardware included.



BAPI-Guard 2 Mounted Over a Thermostat

PART NUMBERS

- BA/BG**Larger BAPI-Guard Thermostat Protector
- BA/BG2**Smaller BAPI-Guard 2 Thermostat Protector
- BA/KEY16187**Replacement Key for BAPI-Guard and BAPI-Guard 2

See end of Section E for list pricing.

Specifications

Material: Polycarbonate

Material Rating: UL 94, V-0

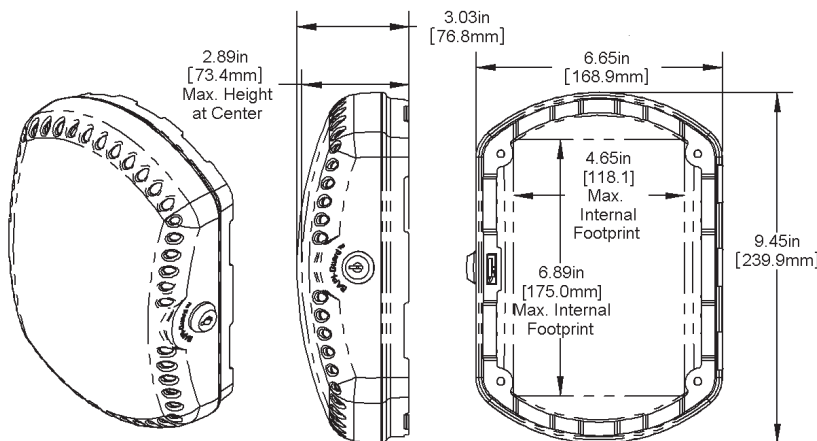
The BAPI-Guard fits these common thermostats

- BAPI-Stat and BAPI-Stat 3
- Honeywell T7300, T7350, T7560, T7770 and T7790 Series
- Johnson Controls Metastat

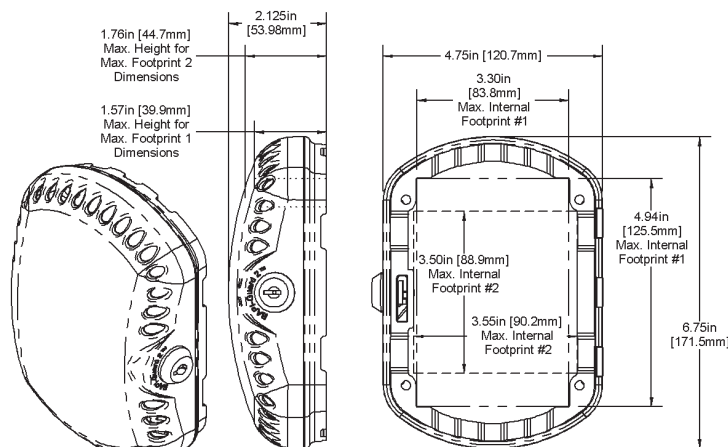
The BAPI-Guard 2 fits these common thermostats

- Delta Style Enclosure
- BAPI-Stat 2 and BAPI-Stat 4
- Powers & PreCon
- Automated Logic RS Series
- York Zone Sensor
- Invensys MN series

If you have a question about whether the BAPI-Guard or BAPI-Guard 2 will fit a specific thermostat, please call BAPI.



BAPI-Guard



BAPI-Guard 2

