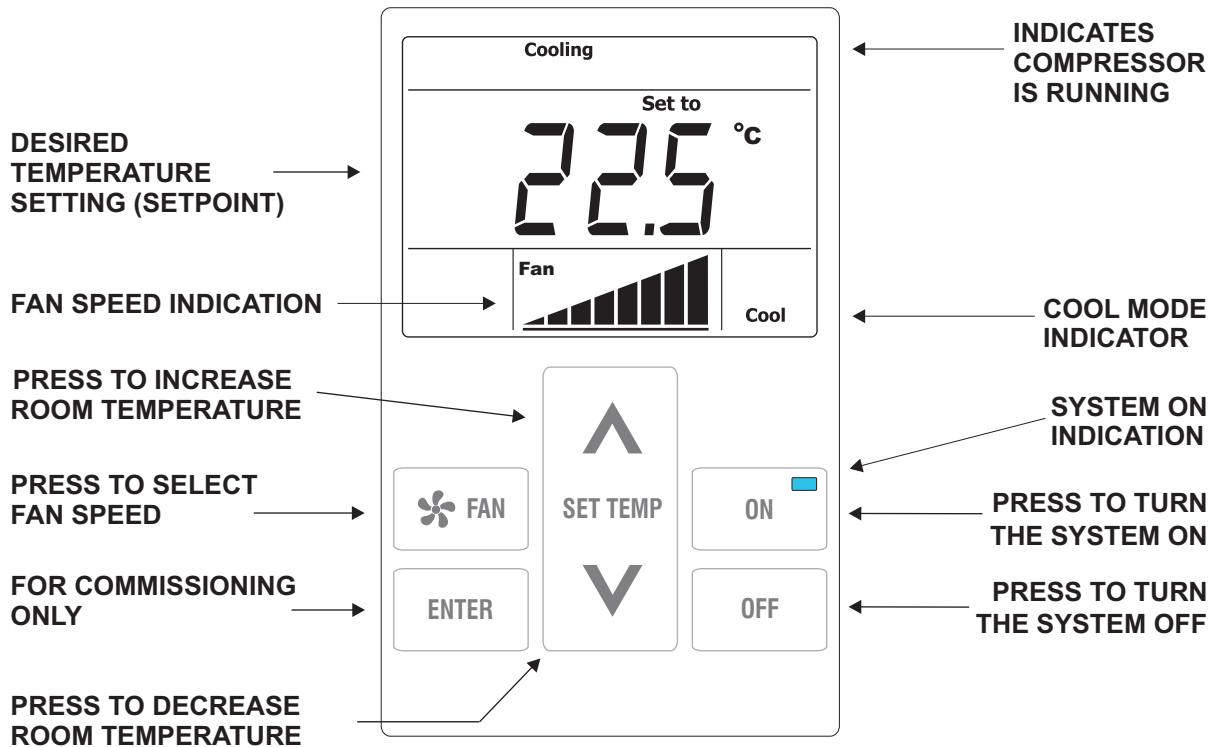


B75H TEMPERATURE CONTROL for HOTELS

Operating Instructions



B75H Wall Control

The system will automatically changeover to heat or cool depending on setpoint and room temperature.

If KEYCARD is out or WINDOW (balcony door) is open, the system turns off and the display shows "---".

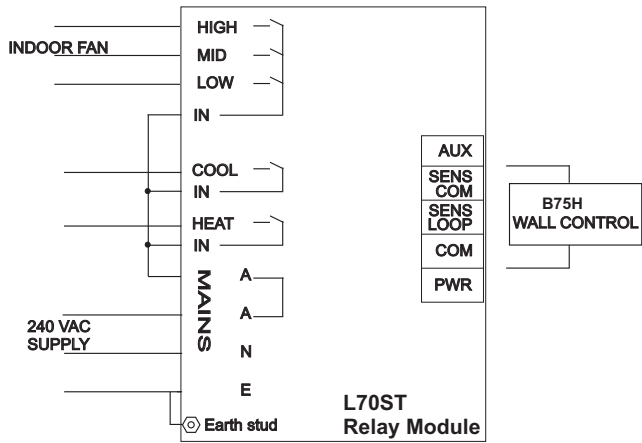
SPECIFICATIONS	
Mains Power Supply	240 Volts 50Hz
Relays: Five SPST volt free contacts	12 amps Res @ 250vac
Set point default operating range (field adjustable)	18oC to 28oC
Dead band default. From Heating off to Cooling on (field adjustable)	1.5oC
Default Switching differential (field adjustable)	0.5oC
Default Fan Run-On - Electric heating only (field adjustable)	60 secs
Volt free auxiliary input supplied by others for remote start and stop (field adjustable)	
Sensor (KT103)	10K @ 25oC

**For Technical Support
Free Call 1300 135 735**

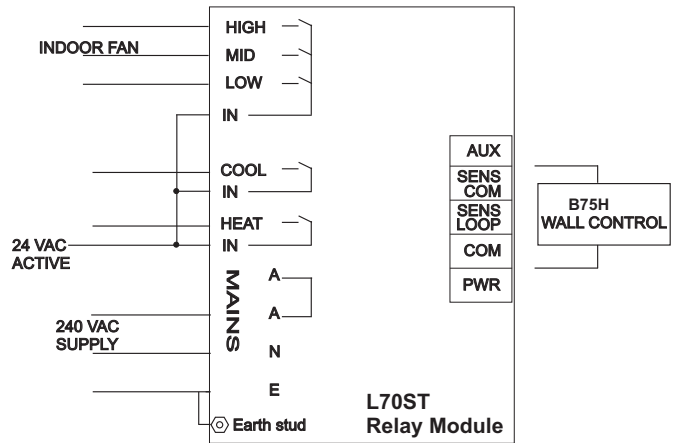


Power Wiring Check A/C unit wiring diagram.

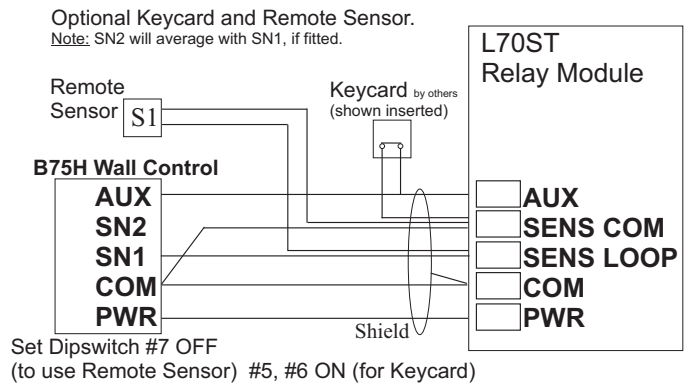
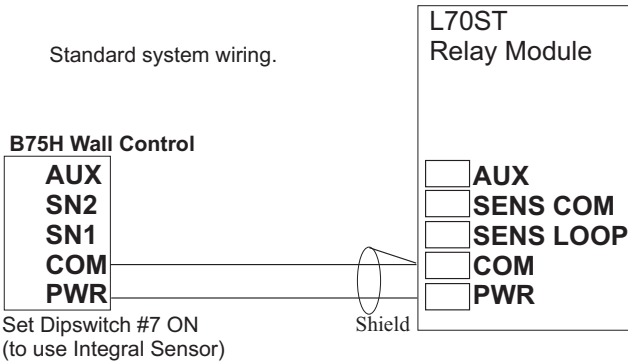
Single stage Heat/Cool or Single stage reverse cycle 240VAC



Single stage Heat/Cool or Single stage reverse cycle 24VAC



Wall Control and Relay Module Wiring



DIPSWITCH SETTINGS

ON BOARD SENSOR USED FOR SN1		INTEGRAL	7	REMOTE	REMOTE SENSOR USED FOR SN1	
6 OFF	TIMESWITCH	AUX	FUNCTION	6	AUX	FUNCTION
5 OFF	WINDOW SWITCH	5 ON	1	5	5 OFF	START SWITCH
6 ON	REVERSING VALVE ENERGISED IN COOLING	REV COOL	4	4	6 ON	KEYCARD
5 ON	SINGLE SPEED INDOOR FAN	1 SPD FAN	3	3	5 ON	THREE SPEED INDOOR FAN
	CONTINUOUS INDOOR FAN	CONT FAN	2	2		AUTO / CONTINUOUS FAN (SELECTABLE)
	COOL ONLY AND ELECTRIC HEAT	COOL/ELEC	1	1		REVERSE CYCLE

ON **OFF**

AUX FUNCTIONS:

- REMOTE On/Off - Close switch to turn the system on, Open switch to turn the system off (Wall Control still operates).
- WINDOW SWITCH - Open switch puts system into Standby Mode, Close switch (window closed) to put system back to last state of operation.
- START SWITCH - Close switch momentarily to turn system on (Wall Control still operates).
- KEYCARD - Open switch to stop and disable system, Close switch (keycard inserted) to allow the Wall Control to be turned on.

COMMISSIONING AND SERVICE KEYS

(PRESS **▲** or **▼** to ADJUST SETTINGS WITHIN THE MENU),
(PRESS **ENTER** to ACCEPT SETTING), (PRESS **FAN** to EXIT MENU)

MENU FUNCTIONS	HOLD	PRESS & RELEASE	PRESS & RELEASE	RELEASE
RESET to FACTORY DEFAULT SETTINGS	ENTER	OFF	▼	ENTER
CANCEL TIMERS (fan run-on, anti-cycle, rev hold)	ENTER	OFF	ON	ENTER
SET DIFFERENTIALS, "ROOM TEMP" CALIBRATION (SN1)	ENTER	▼		ENTER
SET TIMERS (Compressor Anti-Cycle, Fan-Runon)	ENTER	▲		ENTER
SETPOINT LOWER LIMIT		ENTER	▼	
SETPOINT UPPER LIMIT		ENTER	▲	

Note: Press space above **ON** button and Room Temp will show for 3 seconds, "Err" will show for a faulty sensor.

INSTALLER:	COMPANY:	TELEPHONE:
------------	----------	------------