



## Product Data

**A/MCS-A Series**  
**A/MSCS-A Series**  
 Solid and Split-Core Adjustable  
 Current "Status" Switches

*Current*



## Product Description

The A/MCS-A and A/MSCS-A are N/O solid state adjustable current switches. These current sensors are ideal for providing status information on any AC current using equipment. The A/MCS-A series is excellent for new installations where the conductors can be run through the housing before connecting the wires. The A/MSCS-A switches are ideal for retrofit applications, since their split core design allows them to be opened and clamped around the existing wires without disconnecting the current being monitored. Both of these units do not need power supplied to them as they induce the current from the conductors being monitored.

The A/MCS-A and A/MSCS-A both have outputs that are non-polarity sensitive N/O solid-state contacts for switching both AC and DC circuits up to 36 volts. These switches also include two Status LED indicators that will indicate three states: tripped on, current present but below trip point, and current off or below the low end of the adjustable trip point range.

The A/MCS-A and A/MSCS-A adjustable current switches can be used to monitor any change in AC current. A change in current may indicate motor failure, belt loss/slippage, or mechanical failure. Any time one of these events occurs, the current can significantly decrease, thus tripping the current switch and immediately notifying the Building Management System of the failure or problem.

The A/MCS-A and A/MSCS-A Series are covered by ACI's Five (5) Year Limited Warranty, which is located in the front of ACI'S SENSORS & TRANSMITTERS CATALOG or can be found on ACI's web site, which is: [www.workaci.com](http://www.workaci.com).

## Product Specifications

<b>Sensor Power</b>	Induced from monitored conductor
<b>Amperage Rating</b>	<b>MCS-A</b> 0.32 to 150 Amps continuous <b>MSCS-A</b> 0.70 to 150 Amps continuous
<b>Max. Sensing Current Voltage</b>	600 VAC
<b>Isolation Voltage</b>	2,200 VAC
<b>Operating Frequency</b>	50Hz, 60Hz
<b>Output Rating</b>	<b>A/MCS-A:</b> 1A Continuous 36 VAC/VDC <b>A/MSCS-A:</b> 1A Continuous 36 VAC/VDC
<b>Status LED Indication</b>	Red LED - Above Trip Point Blue LED - Under Trip Point
<b>Aperture (Hole) Size</b>	<b>A/MCS-A-</b> 0.55" dia., up to 1 AWG cables <b>A/MSCS-A-</b> 0.53" dia., up to 1 AWG Cables
<b>Dimensions (LxWxH)</b>	<b>A/MCS-A</b> 2.50" x 1.96" x 0.95" <b>A/MSCS-A</b> 2.65" x 2.35" x 0.95"
<b>Operating Temperature Range</b>	-30° to 60°C (-22°F to 140°F)
<b>Operating Humidity Range</b>	0 to 95% RH, non-condensing

**Note:** DO NOT use the LEDs to indicate whether the sensors have power applied to them.

**Wiring Diagrams available at [www.workaci.com](http://www.workaci.com)**

### Attributes:

- "Go/NoGo" Status Switch
- Rated up to 150 Amps
- Limited 5 year warranty
- UL94-V0 (enclosure rating)
- LED Indication

### Applications:

- Fans, Pumps, and Compressors
- Critical Motors
- Lighting Circuits
- Ancillary Equipment



Made in the USA

**Automation Components, Inc.**  
 2305 Pleasant View Rd.  
 Middleton, WI 53562  
 PH: (608) 831-2585  
 FAX: (608) 831-7407

TEMPERATURE

RELATIVE HUMIDITY

PRESSURE

CURRENT

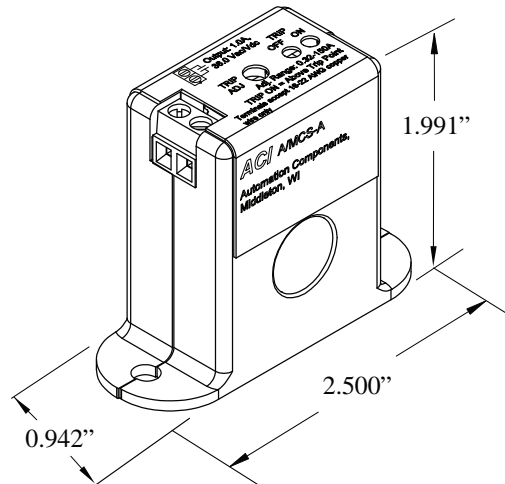
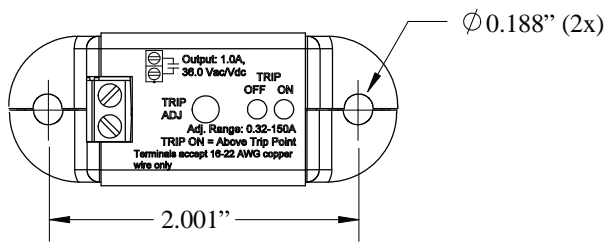
GAS SENSORS

ACCESSORIES

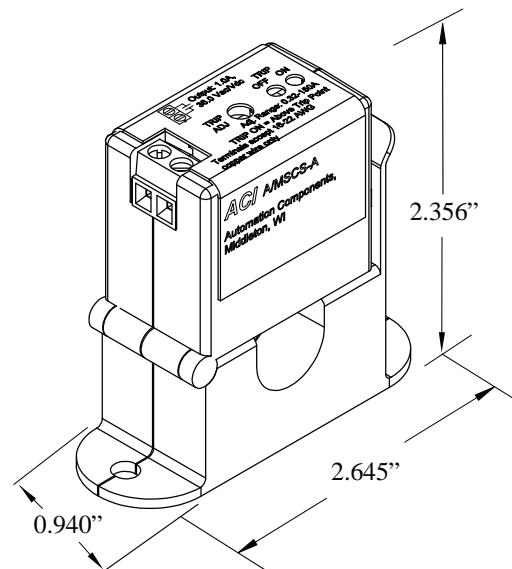
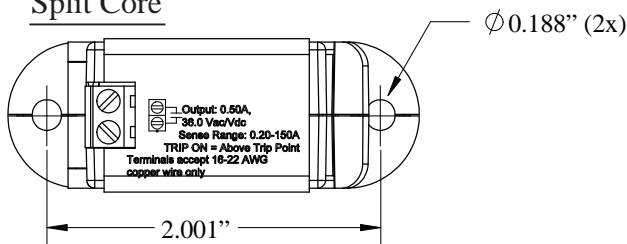
INTERFACE DEVICES

# Dimensions

## Solid Core



## Split Core



## Ordering Information



ACI Model #	Description	Adjustable Trip Point
A/MCS-A	Solid-Core, Adjustable Current Switch, N/O, 0-150A	0.32-150 Amps
A/MSCS-A	Split-Core, Adjustable Current Switch, N/O, 0-150A	0.70-150 Amps



**Warning:** Not intended to be used in Life & Safety Applications or for use in any hazardous locations.

2305 Pleasant View Road Middleton, WI 53562  
 PH: (888) 967-5224 www.workaci.com

TEMPERATURE  
RELATIVE HUMIDITY  
PRESSURE  
CURRENT  
GAS SENSORS  
ACCESSORIES  
INTERFACE DEVICES