

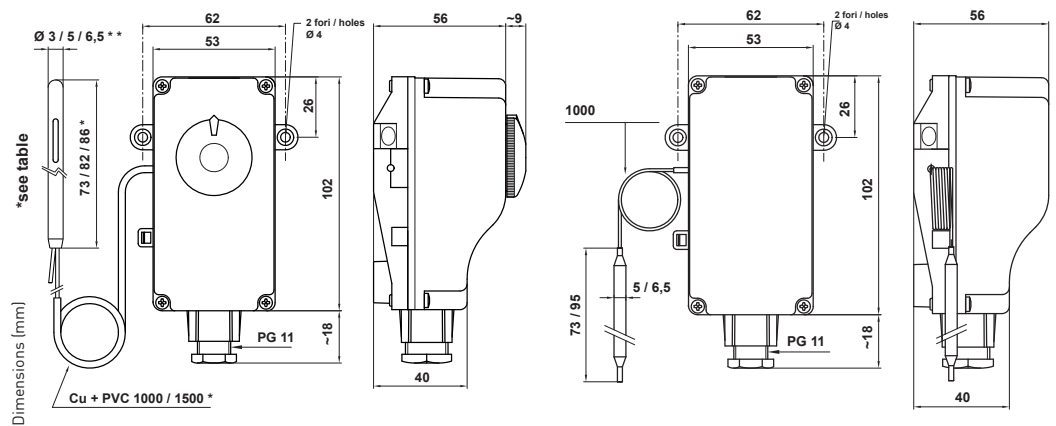
Capillary control thermostat



CODE	ADJUSTMENT RANGE	PROTECTION LEVEL	TYPE OF ADJUSTMENT		BULB DIMENSIONS mm	CAPILLARY LENGTH mm	PACK QTY
			internal	external			
7K1-6R326-00A *	0 ÷ 60 °C	IP43		•	∅ 6,5 x 73	1000	10
7K1-1R326-00A	0 ÷ 90 °C			•	∅ 6,5 x 73	1000	10
7K1-1R336-00A	0 ÷ 90 °C			•	∅ 6,5 x 73	1500	10
7K1-XR338-01A *	0 ÷ 150 °C			•	∅ 5 x 86	1500	10
7K1-HR337-00A *	0 ÷ 300 °C			•	∅ 3 x 190 SST	1500	10
7K1-FR336-00A	-35 ÷ 35 °C			•	∅ 6,5 x 82	1500	10
7K1-6S326-00A	0 ÷ 60 °C	IP55		•	∅ 6,5 x 73	1000	10
7K1-6S326-01A *	0 ÷ 60 °C			•	∅ 5 x 95 SST	1000	10
7K1-1S326-00A	0 ÷ 90 °C			•	∅ 6,5 x 73	1000	10
7K1-FS336-00A *	-35 ÷ 35 °C			•	∅ 6,5 x 82	1500	10
7K2-60326-00A	0 ÷ 60 °C			•	∅ 6,5 x 73	1000	10
7K2-60326-01A *	0 ÷ 60 °C			•	∅ 5 x 95 SST	1000	10
7K2-10326-00A *	0 ÷ 90 °C			•	∅ 6,5 x 73	1000	10
7K6-05366-00A *	5 °C			fixed	∅ 6,5 x 73	3000	10

* price and delivery time upon request.

- SPDT contacts: C/NO/NC.
- Contact rating 16(4)A 250Vca, 6(1)A 400Vca.



■ 7K1

■ 7K2

Capillary limit thermostat with manual reset



CODE	ADJUSTMENT RANGE	PROTECTION LEVEL	TYPE OF ADJUSTMENT		BULB DIMENSIONS mm	CAPILLARY LENGTH mm	PACK QTY
			internal	external			
9K6-70316-00A *	70 °C	IP55		fixed	∅ 5 x 95 SST	500	10
9K6-99326-00A *	100 °C	IP55		fixed	∅ 6,5 x 73	1000	10
9K2-11326-00A	90 ÷ 110 °C	IP55	•		∅ 6,5 x 73	1000	10
SPECIAL MODEL - CHIMNEY LIMITER THERMOSTAT							
9K2-Q0836-00A *	70 ÷ 110 °C	IP55	•		∅ 5 x 90	1500	10

* price and delivery time upon request.

- Gold-plated contact version code 9K2-Q0836-00A.
- SPDT contacts: C/NO/NC.
- Contact rating 16(4)A 250Vca, 6(1)A 400Vca, with gold plated contacts 100mV $\bar{\bar{=}}$ 0,3 A.
- Failure safe function.
- Other temperature ranges and versions available on request.

